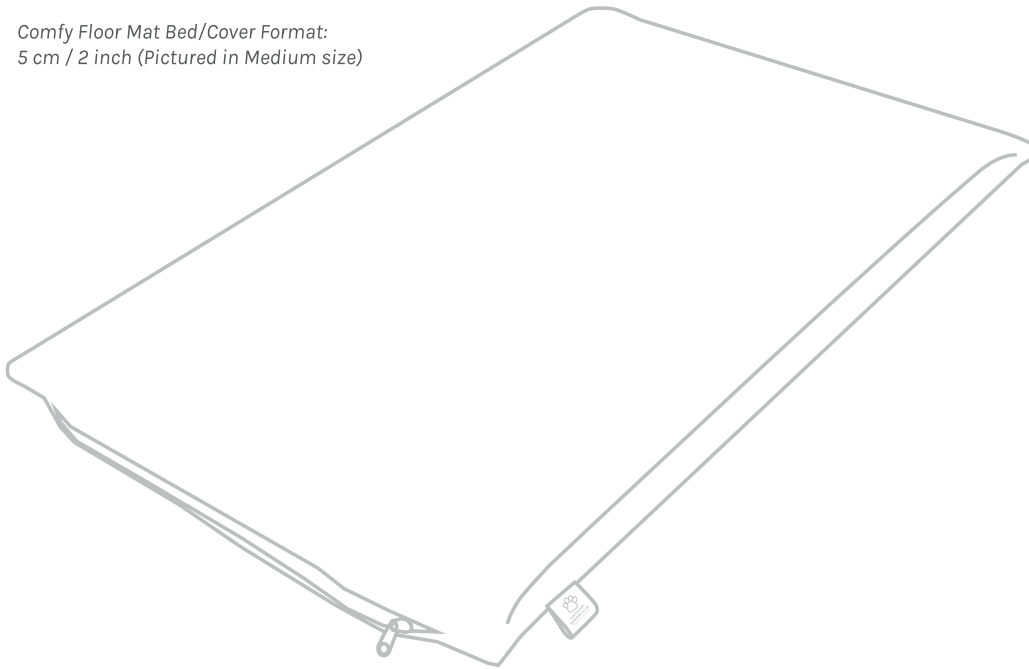
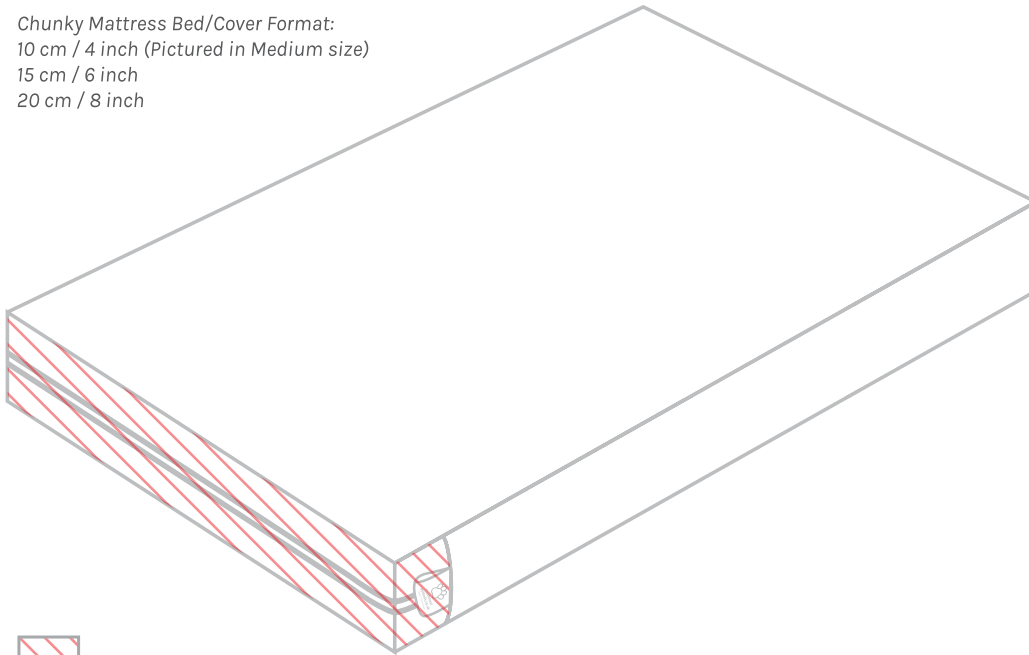


**PLEASE CONSIDER:** The height of the name badges is fixed at 7.5 cm / 3 inches, but the width of your name badge will vary between 10 cm to 30 cm approximately, depending on the character length of your dog's name.

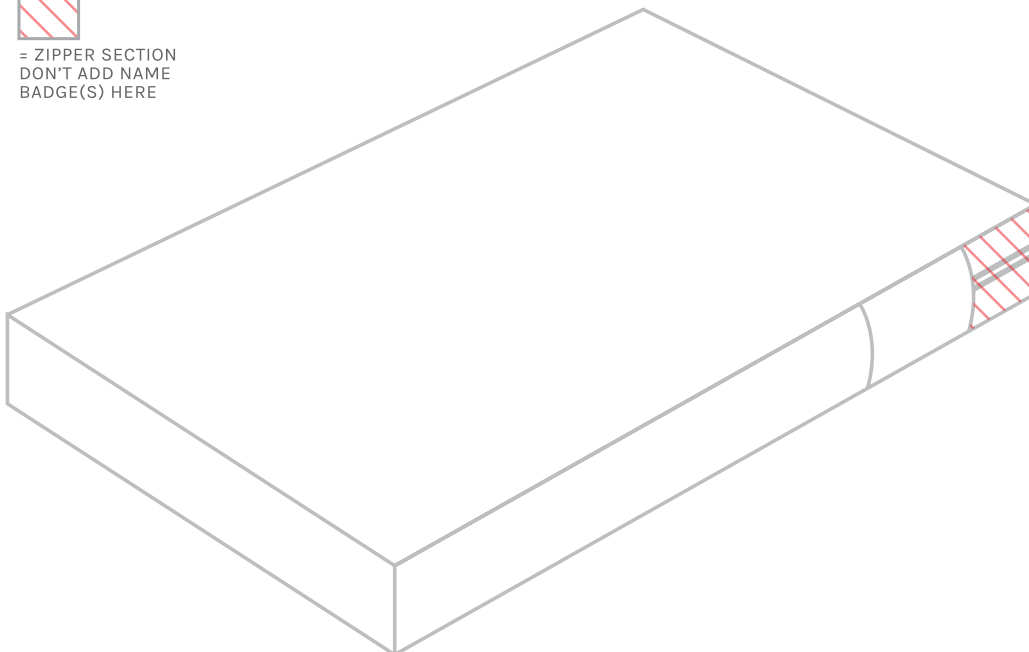
Comfy Floor Mat Bed/Cover Format:  
5 cm / 2 inch (Pictured in Medium size)



Chunky Mattress Bed/Cover Format:  
10 cm / 4 inch (Pictured in Medium size)  
15 cm / 6 inch  
20 cm / 8 inch



= ZIPPER SECTION  
DON'T ADD NAME  
BADGE(S) HERE



**South West  
Pet Beds**  
MADE IN TOTNES DEVON

## MAT & MATTRESS BED/COVER NAME BADGE

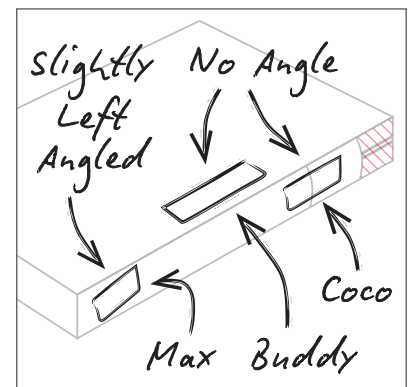
### SPECIFICATION SHEET

If you have ordered any sized Mat or Mattress Beds/Covers with Name Badge(s), the purpose of this sheet is for you to show us where they are to be placed.

### HOW TO COMPLETE THIS SHEET

1. Print this page off at 100% scale.
2. (Complete this section if you have ordered more than 1 bed and/or cover with name badges) Print and complete 1 sheet per bed/cover, and write the **bed/cover size, format and colour** that the sheet denotes to here: (For example: "Medium Chunky Mattress Bed Green" "Medium Chunky Mattress Cover Blue Wtrp." "140 x 60 x 15 cm Bed Blue" "140 x 60 x 15 cm Cover Terracotta Fleece")

3. Illustrate where you want the name badge(s) to be, and at what angle(s) you want them sown on. For example:



4. Include your **Order Number** from the order confirmation email we sent you here:

5. Once complete, scan or photograph this page and email it to:

SWPB@SOUTHWESTPETBEDS.CO.UK

Thank you for your order!

### NEED HELP?

For questions, please contact us:  
T: 01803 862816  
M: 07703 742372  
E: swpb@southwestpetbeds.co.uk  
W: www.southwestpetbeds.co.uk